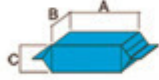
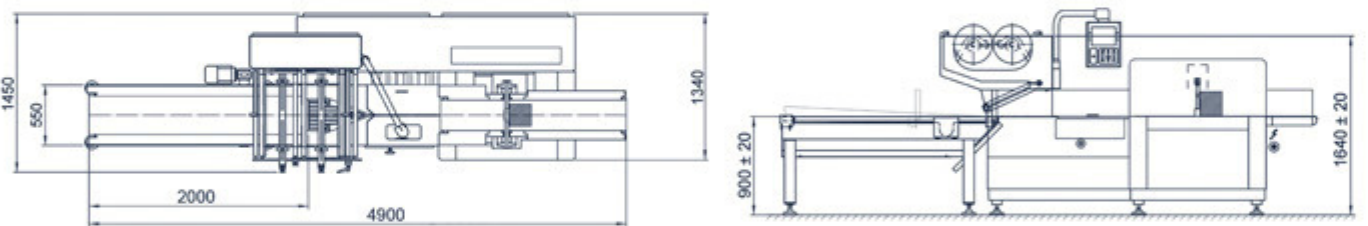
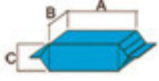
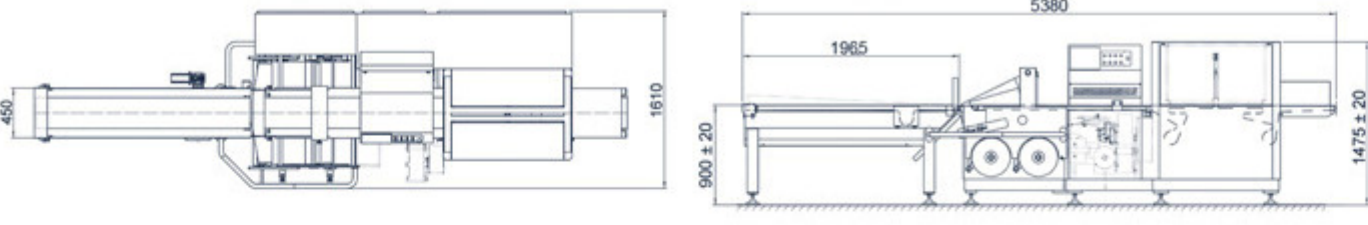


TIGRE Bottom Seal	Box Motion Head	
	Medium	Large
Machine speed	0 + 100 ppm	0 + 80 ppm
Product Dimensions 	A = 80 + ∞ mm	A = 80 + ∞ mm
	B = 60 + 300 mm	B = 60 + 400 mm
	C = 20 + 220 mm	C = 20 + 220 mm
Film width Max	730 mm	930 mm
Cut-off Length Min/Max	100 + ∞ mm	
		

TIGRE Top Seal	Box Motion Head	
	Medium	Large
Machine speed	0 + 100 ppm	0 + 80 ppm
Product Dimensions 	A = 80 + ∞ mm	A = 80 + ∞ mm
	B = 60 + 300 mm	B = 60 + 400 mm
	C = 20 + 220 mm	C = 20 + 220 mm
Film width Max	730 mm	930 mm
Cut-off Length Min/Max	100 + ∞ mm	
		

#### FILM TYPES AND CHARACTERISTICS:

Heat or Cold sealing materials, neutral, with continuous or registered print, as: Bioriented Polypropylene, Laquard and/or coextruded, Microperforated, Shrink, Complex film and others similar film's structure.  
Barrier film thickness up to 100 µm.

#### NOTES:

- Production output is subject to the film quality and product characteristics.
- Layout dimensions and technical data are indicative. We reserve the right to apply modifications at anytime without previous notice

Tigre - Rev.00 - September 2013 - Record spa - Made in Italy



*Made In Italy  
Since 1965*

**TIGRE™**

**Sales with service**

**Record S.p.A.**  
Via Italia, 46  
23846 Garbagnate M.ro - Lecco - Italy

Tel. +39 031 850607 (7 lines)  
Fax +39 031 850704

[www.record.it](http://www.record.it) [info@record.it](mailto:info@record.it)

## Why Record ?

### Top Quality

Product development through the consistent research of new systems and technical solutions  
 Totally electronic flowpack machines and feeders  
 High Technology - Electronic components by main suppliers  
 Easy to operate and flexible programs  
 New Design for easy cleaning and maintenance  
 Stainless Steel Execution  
 Made in Italy with best quality components

### Experience and Know How

48 years in the Packaging Industry  
 Installed base of:  
 ■ 7000 Flowpack Machines  
 ■ 900 Automatic Feeders  
 Designed, produced and supplied in the world

### Energy Saving

High efficiency brushless motors  
 Stand-By function  
 (Auto-adjusting temperatures when machine stops)  
 for minimal energy consumption during downtime

### Durability of Investment

2 Years Total Warranty on all Components  
 Spare Parts Availability  
 20 years on Mechanical Components  
 10 years on Electronic Components,  
 On site technical assistance

### Box Motion Head



Ideal for big size products and for sensitive film type, difficult to seal

### Top Seal

- Film from the Bottom
- Longitudinal Fin Seal from the top



### Bottom Seal

- Film from the Top
- Longitudinal Fin Seal on the bottom

